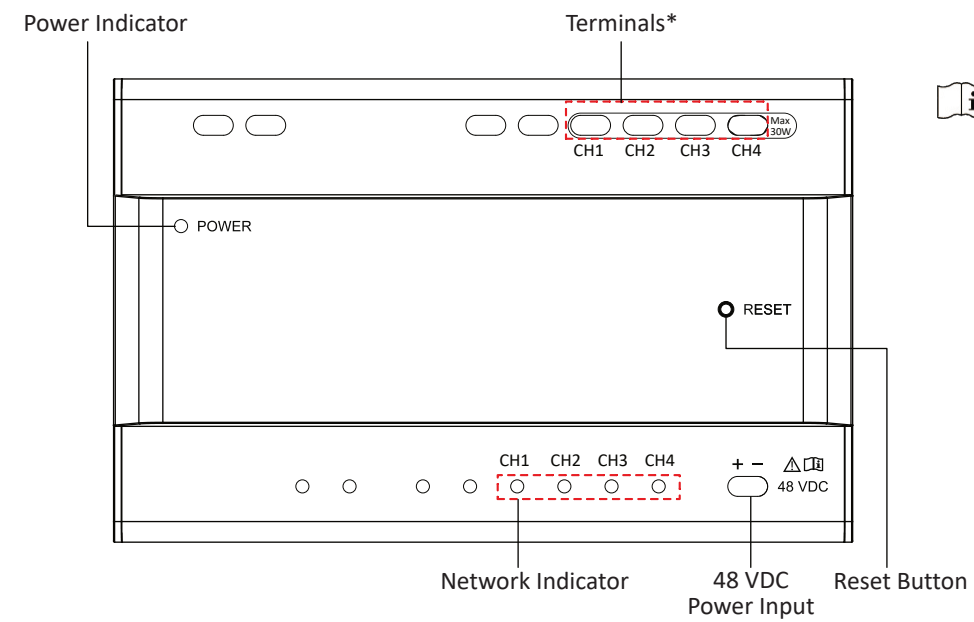


1 Appearance and Interface



The picture here is only for reference. Refers to the actual device for detailed information.

Terminal*: For connecting door station and indoor station.

The CH1~CH4 terminals of DS-KAD7040EY do not conform to LPS so that devices cascaded via these terminals need to be of metal materials or meet requirements of V-1 Flame retardant grade and cascading cables meet requirements of VW-1.

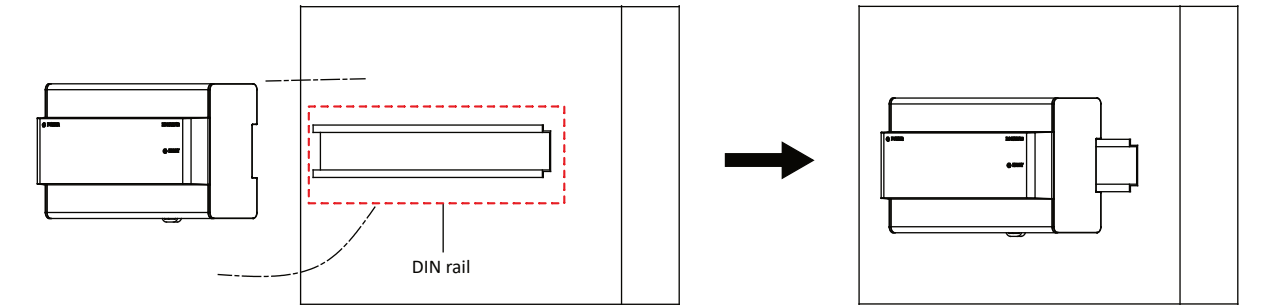
2 Installation

Before you begin:

- Make sure the device in the package is in good condition.
- Make sure all the related equipment is power-off during the installation.
- Check the product specification for the installation environment.

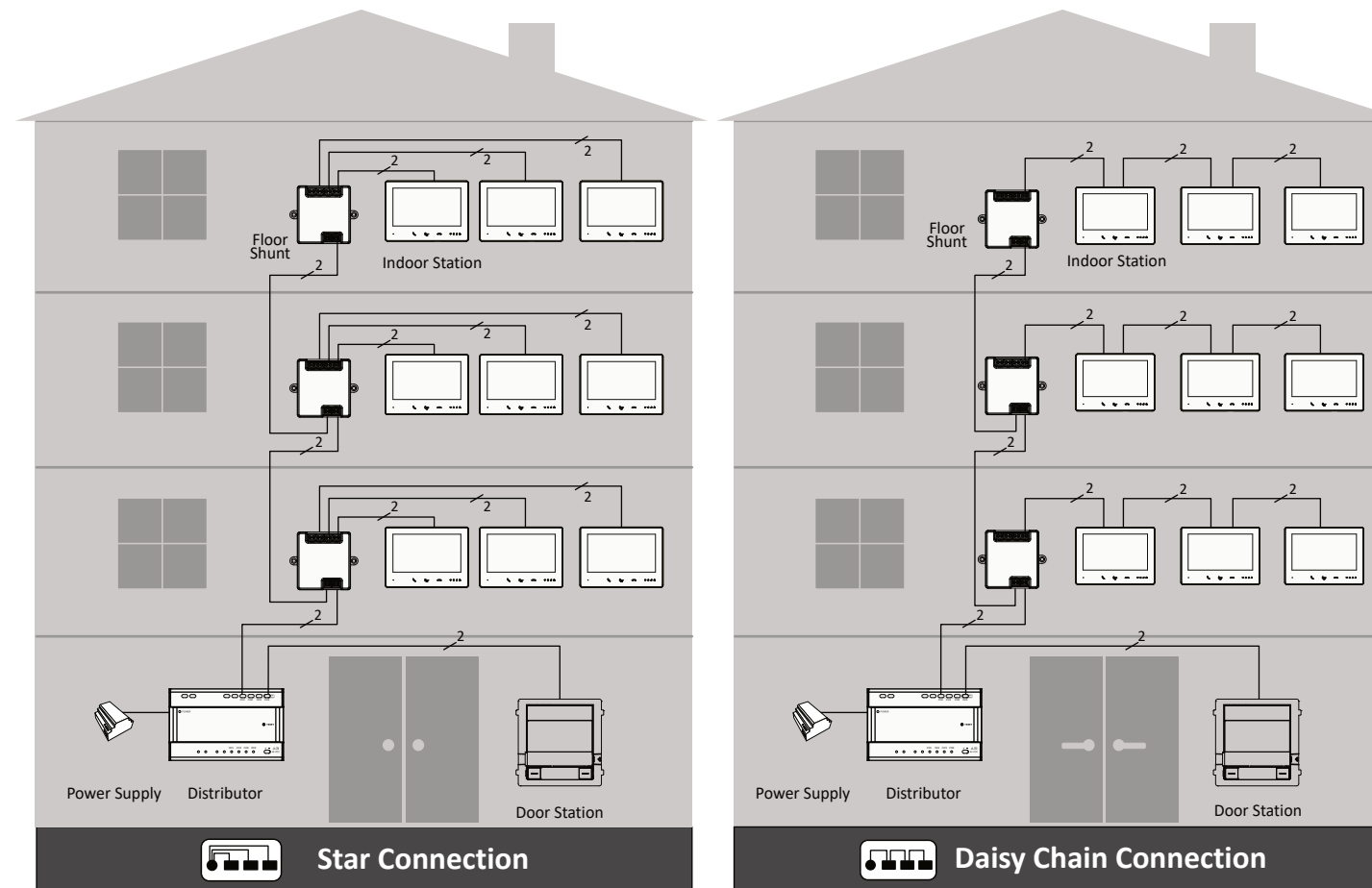
Wall Mounting Steps:

1. Fix the DIN rail onto the wall.
 You are required to utilize a matched DIN rail.
2. Press the red clip upward, and lock it to the DIN rail.



3.1 System Wiring

Maximum 3 indoor stations can be powered by 1 power supply.
Maximum 4 devices (including indoor station and modular door station) can be connected to one distributor.



About this Document

- This Document includes instructions for using and managing the Product. Pictures, charts, images and all other information hereinafter are for description and explanation only.
- The information contained in the Document is subject to change, without notice, due to firmware updates or other reasons. Please find the latest version of the Document at the Hikvision website (<https://www.hikvision.com>). Unless otherwise agreed, Hangzhou Hikvision Digital Technology Co., Ltd. or its affiliates (hereinafter referred to as "Hikvision") makes no warranties, express or implied.
- Please use the Document with the guidance and assistance of professionals trained in supporting the Product.

About this Product

This product can only enjoy the after-sales service support in the country or region where the purchase is made.

Acknowledgment of Intellectual Property Rights

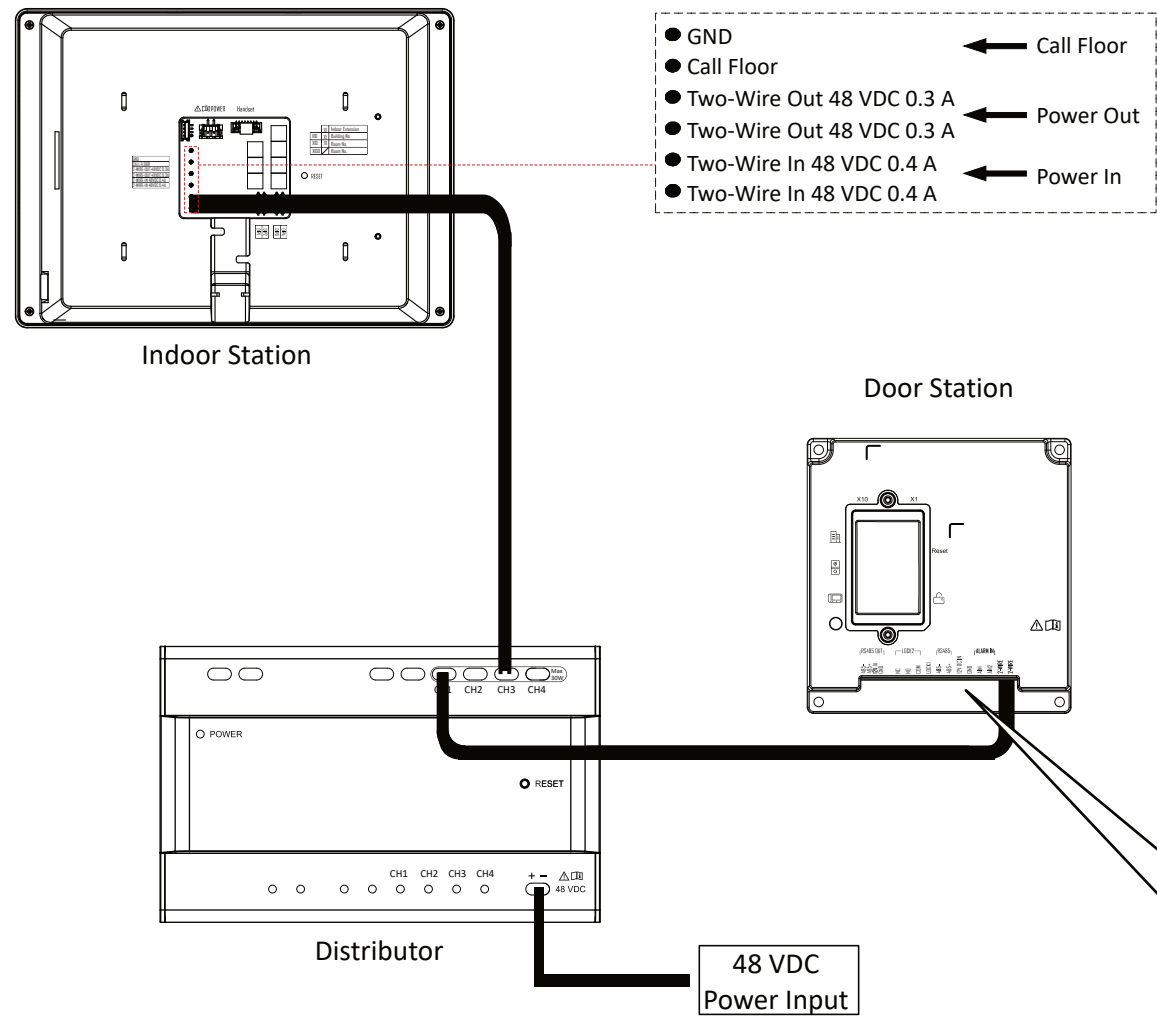
- Hikvision owns the copyrights and/or patents related to the technology embodied in the Products described in this Document, which may include licenses obtained from third parties.
- Any part of the Document, including text, pictures, graphics, etc., belongs to Hikvision. No part of this Document may be excerpted, copied, translated, or modified in whole or in part by any means without written permission.
- **HIKVISION** and other Hikvision's trademarks and logos are the properties of Hikvision in various jurisdictions.
- Other trademarks and logos mentioned are the properties of their respective owners.

LEGAL DISCLAIMER

- TO THE MAXIMUM EXTENT PERMITTED BY APPLICABLE LAW, THIS DOCUMENT AND THE PRODUCT DESCRIBED, WITH ITS HARDWARE, SOFTWARE AND FIRMWARE, ARE PROVIDED "AS IS" AND "WITH ALL FAULTS AND ERRORS". HIKVISION MAKES NO WARRANTIES, EXPRESS OR IMPLIED, INCLUDING WITHOUT LIMITATION, MERCHANTABILITY, SATISFACTORY QUALITY, OR FITNESS FOR A PARTICULAR PURPOSE. THE USE OF THE PRODUCT BY YOU IS AT YOUR OWN RISK. IN NO EVENT WILL HIKVISION BE LIABLE TO YOU FOR ANY SPECIAL, CONSEQUENTIAL, INCIDENTAL, OR INDIRECT DAMAGES, INCLUDING, AMONG OTHERS, DAMAGES FOR LOSS OF BUSINESS PROFITS, BUSINESS INTERRUPTION, OR LOSS OF DATA, CORRUPTION OF SYSTEMS, OR LOSS OF DOCUMENTATION, WHETHER BASED ON BREACH OF CONTRACT, TORT (INCLUDING NEGLIGENCE), PRODUCT LIABILITY, OR OTHERWISE, IN CONNECTION WITH THE USE OF THE PRODUCT, EVEN IF HIKVISION HAS BEEN ADVISED OF THE POSSIBILITY OF SUCH DAMAGES OR LOSS.
- YOU ACKNOWLEDGE THAT THE NATURE OF THE INTERNET PROVIDES FOR INHERENT SECURITY RISKS, AND HIKVISION SHALL NOT TAKE ANY RESPONSIBILITIES FOR ABNORMAL OPERATION, PRIVACY LEAKAGE OR OTHER DAMAGES RESULTING FROM CYBER-ATTACK, HACKER ATTACK, VIRUS INFECTION, OR OTHER INTERNET SECURITY RISKS; HOWEVER, HIKVISION WILL PROVIDE TIMELY TECHNICAL SUPPORT IF REQUIRED.
- YOU AGREE TO USE THIS PRODUCT IN COMPLIANCE WITH ALL APPLICABLE LAWS, AND YOU ARE SOLELY RESPONSIBLE FOR ENSURING THAT YOUR USE CONFORMS TO THE APPLICABLE LAW. ESPECIALLY, YOU ARE RESPONSIBLE, FOR USING THIS PRODUCT IN A MANNER THAT DOES NOT INFRINGE ON THE RIGHTS OF THIRD PARTIES, INCLUDING WITHOUT LIMITATION, RIGHTS OF PUBLICITY, INTELLECTUAL PROPERTY RIGHTS, OR DATA PROTECTION AND OTHER PRIVACY RIGHTS. YOU SHALL NOT USE THIS PRODUCT FOR ANY PROHIBITED END-USES, INCLUDING THE DEVELOPMENT OR PRODUCTION OF WEAPONS OF MASS DESTRUCTION, THE DEVELOPMENT OR PRODUCTION OF CHEMICAL OR BIOLOGICAL WEAPONS, ANY ACTIVITIES IN THE CONTEXT RELATED TO ANY NUCLEAR EXPLOSIVE OR UNSAFE NUCLEAR FUEL-CYCLE, OR IN SUPPORT OF HUMAN RIGHTS ABUSES.
- IN THE EVENT OF ANY CONFLICTS BETWEEN THIS DOCUMENT AND THE APPLICABLE LAW, THE LATTER PREVAILS.

© Hangzhou Hikvision Digital Technology Co., Ltd. All rights reserved.

3.2 Wiring



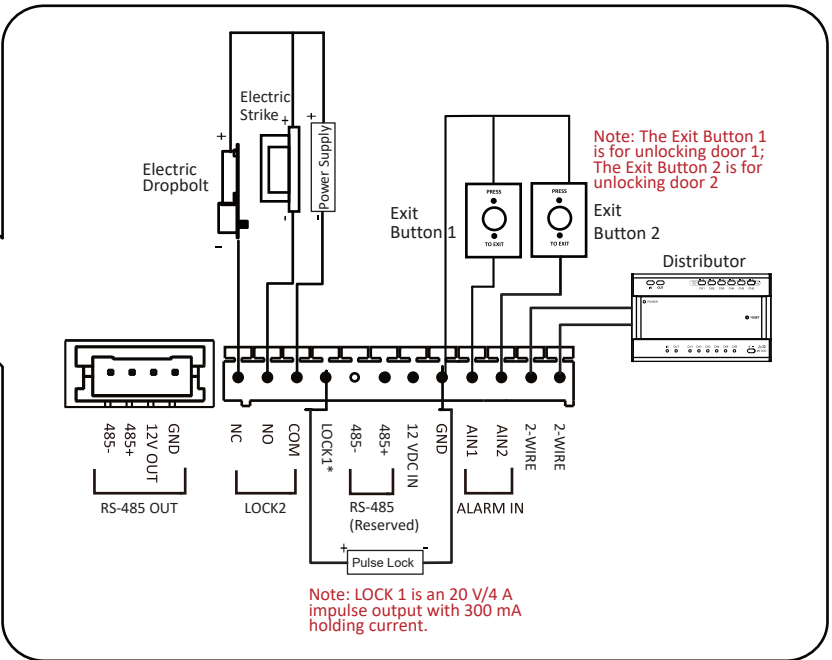
The distributor can connect to maximum 3 indoor stations (1 Main Indoor Station and 2 Sub Indoor Stations).

Tips for Cables and Wiring

- Cables and Wiring**
- When there are multiple cores in one parallel line, only one pair of closed cores are allowed to transmit signal. It is not allowed to use multiple pair of cores in one cable to transmit signal.
 - When using parallel lines, it is suggested to use those with shielding layer. If dual core or multiple core parallel lines without shielding layer are routed, stability of signal transmission can be effected. You need to run a test before installation.
 - Impedance of cable should not be over suggested value, or distributor cannot transmit enough power to indoor station or door station.
 - Strong electricity and weak electricity cannot be wired in the same route, they need to be wired separately and the distance should be more than 0.5 meter.
 - All the cables used need to follow the restriction in the following table.
- Device Wiring**
- Installation environment (temperature, moisture etc.) needs to follow requirements in specification or power output can be effected.
 - Power consumption of each modular door station (main module and sub modules) should be less than 30 W. Please reach local technical support if you are not sure about power consumption of each module.
 - Indoor station and modular door station can connect to any of CH1~CH4 of the distributor.
 - Power supply must be certified by Hikvision.

Cable Type Description

Cable Type	DS-KAD7040EY to Door Station	Indoor Station to Indoor Station	Indoor Station to Door Station
UTP 5 0.2 mm ² (Cat.5) AWG24	60 m	100 m	140 m
0.28 mm ² (TP) AWG23	60 m	80 m	160 m
0.5 mm ² (parallel) AWG20	60 m	100 m	180 m
1 mm ² (parallel) AWG17	60 m	100 m	260 m
1 mm ² (TP) AWG17	60 m	80 m	260 m
1.5 mm ² (parallel) AWG15	60 m	100 m	260 m



If a power adapter is provided in the device package, use the provided adapter only. If no power adapter is provided, ensure the power adapter or other power supply complies with Limited Power Source. Refer to the product label for the power supply output parameters.

Если адаптер питания входит в комплект поставки устройства, используйте только прилагаемый адаптер. Если адаптер питания не входит в комплект поставки, убедитесь, что используемый вами адаптер питания или источник питания соответствует требованиям к ограничению мощности. Выходные параметры источника питания указаны на его паспортной табличке.

Amennyiben a készülék csomagja tartalmaz hálózati adaptert, kizárólag a mellékelt adaptert használja. Ha a csomag nem tartalmaz hálózati adaptert, bizonyosodjon meg, hogy a használt hálózati adapter vagy más tápegység megfelelnek a korlátozott áramforrásokra vonatkozó előírásoknak. A tápegység teljesítményének paramétereit a termék címkéjén találhatók.

Wenn im Lieferumfang des Geräts ein Netzteil enthalten ist, verwenden Sie nur das mitgelieferte Netzteil. Wenn kein Netzteil mitgeliefert wird, stellen Sie sicher, dass das Netzteil oder eine andere Stromversorgung den Anforderungen an eine Stromquelle mit begrenzter Leistung entspricht. Die Ausgangsparameter des Netzteils sind auf dem Produktaufkleber angegeben.

Utilizzare solo l'alimentatore in dotazione, se incluso nella confezione del dispositivo. Se l'alimentatore non è incluso, accertarsi di utilizzare un modello conforme allo standard sulle fonti di alimentazione limitate. Consultare l'etichetta del prodotto per i parametri dell'uscita di alimentazione.

Pokud je v balení zařízení dodán napájecí adaptér, použijte pouze dodaný adaptér. Pokud není napájecí adaptér dodán, zajistěte, aby napájecí adaptér nebo jiný napájecí zdroj vyhovoval požadavkům na omezený zdroj napájení. Parametry výstupu napájení viz štítek výrobku.

Ak bolo zariadenie dodané s napájacím adaptérom, použite iba dodaný adaptér. Ak napájací adaptér nie je dodaný, uistite sa, že napájací adaptér alebo iný zdroj napájania vyhovuje obmedzenému zdroju napájania. Parametre výstupu napájacieho zdroja nájdete na štítku produktu.

Si un adaptateur secteur est fourni dans l'emballage de l'appareil, n'utilisez que l'adaptateur fourni. Si aucun adaptateur secteur n'est fourni, assurez-vous que l'adaptateur secteur ou toute autre source d'alimentation est conforme à la source d'alimentation limitée. Reportez-vous à l'étiquette du produit pour connaître les paramètres de sortie de l'alimentation.

Jeżeli w pakiecie z urządzeniem dostarczony jest zasilacz, należy używać wyłączanie tego zasilacza. Jeżeli zasilacz nie jest dostarczony w pakiecie z urządzeniem, należy używać zasilacza zgodnego z wymaganiami dotyczącymi źródeł zasilania z własnym ograniczeniem (LPS, Limited Power Source). Informacje dotyczące wymaganego zasilania podano na etykiecie produktu.

Als een voedingsadapter in de verpakking van het apparaat is geleverd, mag u alleen deze adapter gebruiken. Als er geen voedingsadapter is meegeleverd, moet u ervoor zorgen dat de voedingsadapter of een andere stroombron voldoet aan de Beperkte voedingsbron. Raadpleeg het productlabel voor de parameters voor de stroomuitvoer.

Se a embalagem do dispositivo incluir um adaptador de alimentação, utilize apenas o adaptador fornecido. Se não for fornecido um adaptador, certifique-se de que o adaptador de alimentação ou qualquer outra fonte de alimentação está em conformidade com a Fonte de Alimentação Limitada. Consulte a etiqueta do produto para obter os parâmetros nominais da fonte de alimentação.

Si el paquete del dispositivo incluye un adaptador de corriente, utilice únicamente el adaptador suministrado. Si no se suministra un adaptador de corriente, asegúrese de que el adaptador de corriente u otra fuente de alimentación que utilice cumple con el límite de la fuente de alimentación. Consulte la etiqueta del producto para conocer los parámetros de salida de la fuente de alimentación.

Dacă dispozitivul se furnizează cu un adaptor de alimentare, utilizați-l numai pe acesta. Dacă nu se furnizează niciun adaptor de alimentare, asigurați-vă că adaptorul sau o altă alimentare electrică este compatibilă cu sursa de alimentare limitată. Pentru parametri de ieșire ai alimentării electrice, consultați eticheta produsului.

Hvis der ikke medfølger en strømadapter, skal du sikre, at strømadapteren eller en anden strømforsyning overholder LPS (Limited Power Source). Find strømforsyningens udgangsparameter i produktets mærkat.

Cihaz paketinde bir güç adaptörü varsa, sadece verilen adaptörü kullanın. Güç adaptörü verilmediyse, güç adaptörünün veya diğer güç kaynağının Sınırlı Güç Kaynağı ile uyumlu olduğundan emin olun. Güç kaynağı çıkış parametreleri için ürün etiketine bakın.

في حال توفر محول طاقة في عبوة الجهاز، استخدم المحول المرفق فقط في حال عدم توفر محول طاقة، تأكد من توافق محول الطاقة أو مصدر الطاقة الأخر مع مصدر الطاقة المحدود. راجع ملصق المنتج للاطلاع على معلمات خرج مصدر الطاقة.

Якщо блок живлення входить у комплект поставки, використовуйте тільки наданий блок живлення. Якщо блок живлення не входить у комплект поставки, переконайтеся, що блок живлення або інше джерело живлення відповідає вимогам до джерел живлення обмеженої потужності. Вимоги до вихідних параметрів джерела живлення див. на етикетці виробу.

Jika adaptor daya disediakan dalam kemasan perangkat, hanya gunakan adaptor yang disediakan. Jika adaptor daya tidak disediakan, pastikan adaptor daya atau satu daya lain sesuai dengan Sumber Daya Terbatas. Lihat label produk untuk parameter output daya.

ကိရိယာ ထုပ်ပိုးမှုတွင် ပါဝါ အောက်ပတ်တ ထည့်သွင်းပါရှိပါက၊ ဖေးထားသော အောက်ပတ်တကိုသာ အသုံးပြုပါ။ ပါဝါ အောက်ပတ်တ ပါရှိခြင်းမရှိပါက၊ ပါဝါရင်းမြစ် ကန့်သတ်မှုနှင့် ကိုက်ညီသော ပါဝါ အောက်ပတ်တ သို့မဟုတ် အခြား ပါဝါ ဖေးသွင်းမှုများကို သုံးစွဲရန် ကြံညှိပါ။ ပါဝါဖေးသွင်းမှု အထွက် ကန့်သတ်ချက်များအတွက် ထုတ်ကုန်တွင် ရေးသားထားချက်ကို ကိုက်ညီစွာ ကြည့်ပါ။